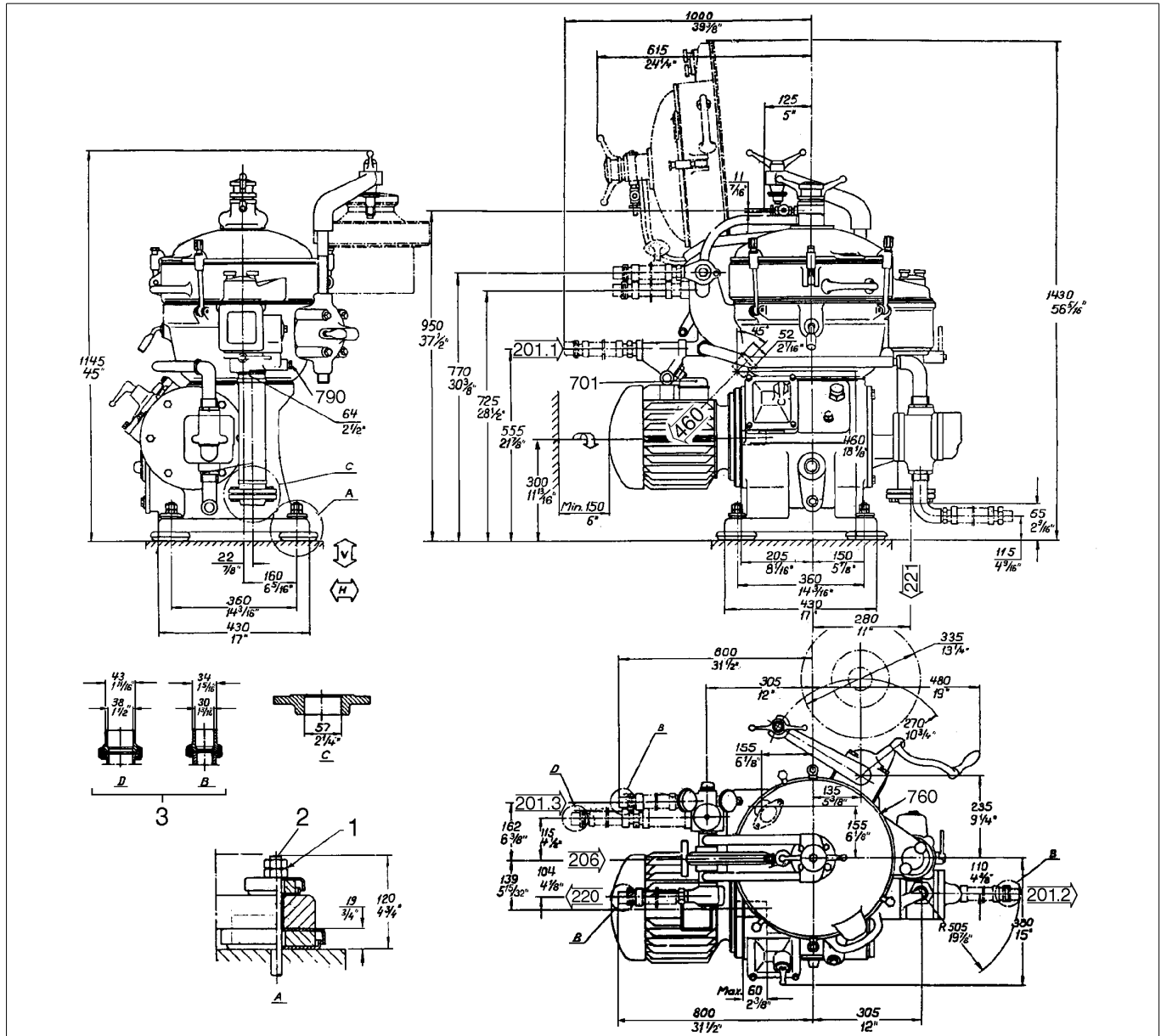


8.4 Basic size drawing, with pump

Alfa Laval ref. 557913 rev. 0



1. Screw 5/8-11 UNC
2. Tightening torque 20 Nm locked with lock nut
3. Deviation from centre of outer connection of flexible tube = 12 mm



Vertical force not exceeding 12 kN/foot.



Horizontal force not exceeding 12 kN/foot.

Data for connections see "8.5 Connection list, with pump" on page 157.

All connections to be installed non-loaded and flexible.

G0627111