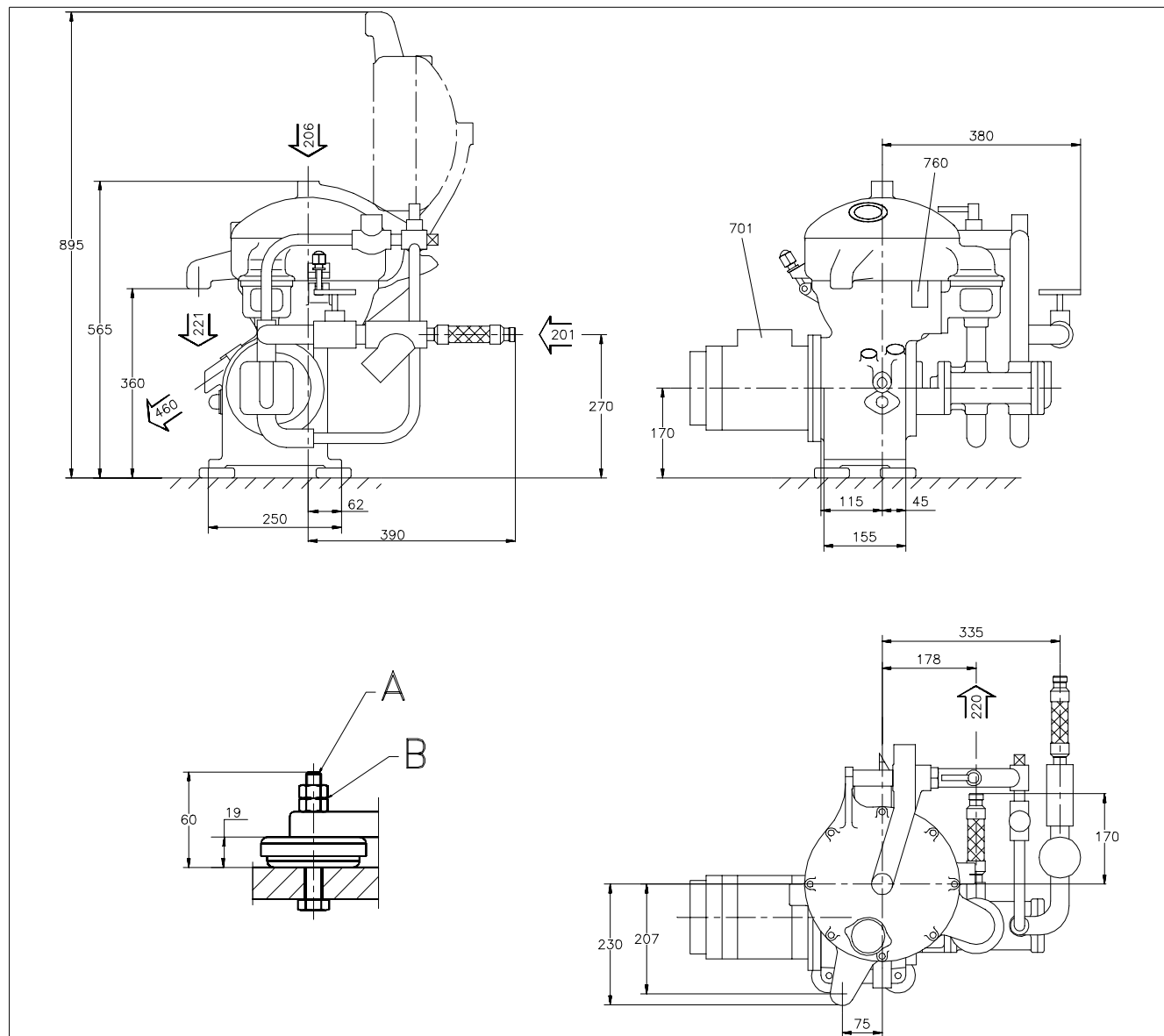


8.2 Basic size drawing

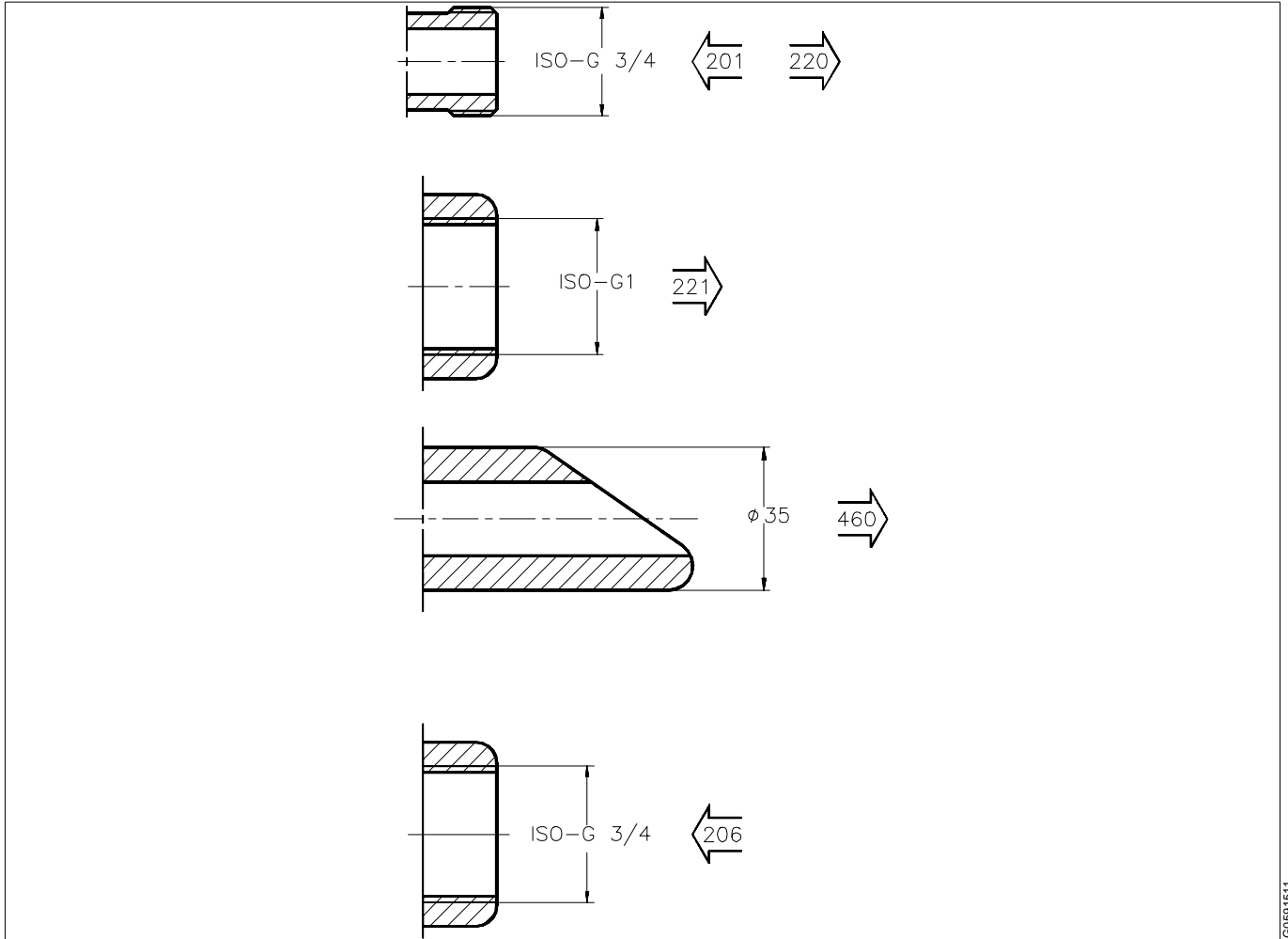
Alfa Laval ref. 556939 rev. 0



- A. Screw 3/8-16UNC
- B. Tightening torque 16 Nm locked with lock nut

Data for connections see "8.3 Connection list" on page 124.

8.2.1 Dimensions of connections



Data for connections, see chapter "8.3 Connection list" on page 124.

All connections to be installed non-loaded and flexible.

8.3 Connection list

Alfa Laval ref. 556989 rev. 0

Connection No.	Description	Requirements/limit
201	Inlet for process liquid, (to pump) - Permitted temperatures	max. 100 °C, min. 0 °C
206	Inlet for water seal	Fresh water, approx 1 litre (depending on gravity disc)
220	Outlet for light phase (oil from pump)	
221	Outlet for heavy phase (water)	no counter pressure
460	Drain of frame	
701	Motor for separator - Max. deviation from nominal frequency	±5%
760	Cover interlocking switch (delivered as option) Type: Double, two-way microswitch Switch rating: Voltage Current	Max. 500 V Max. 3 A