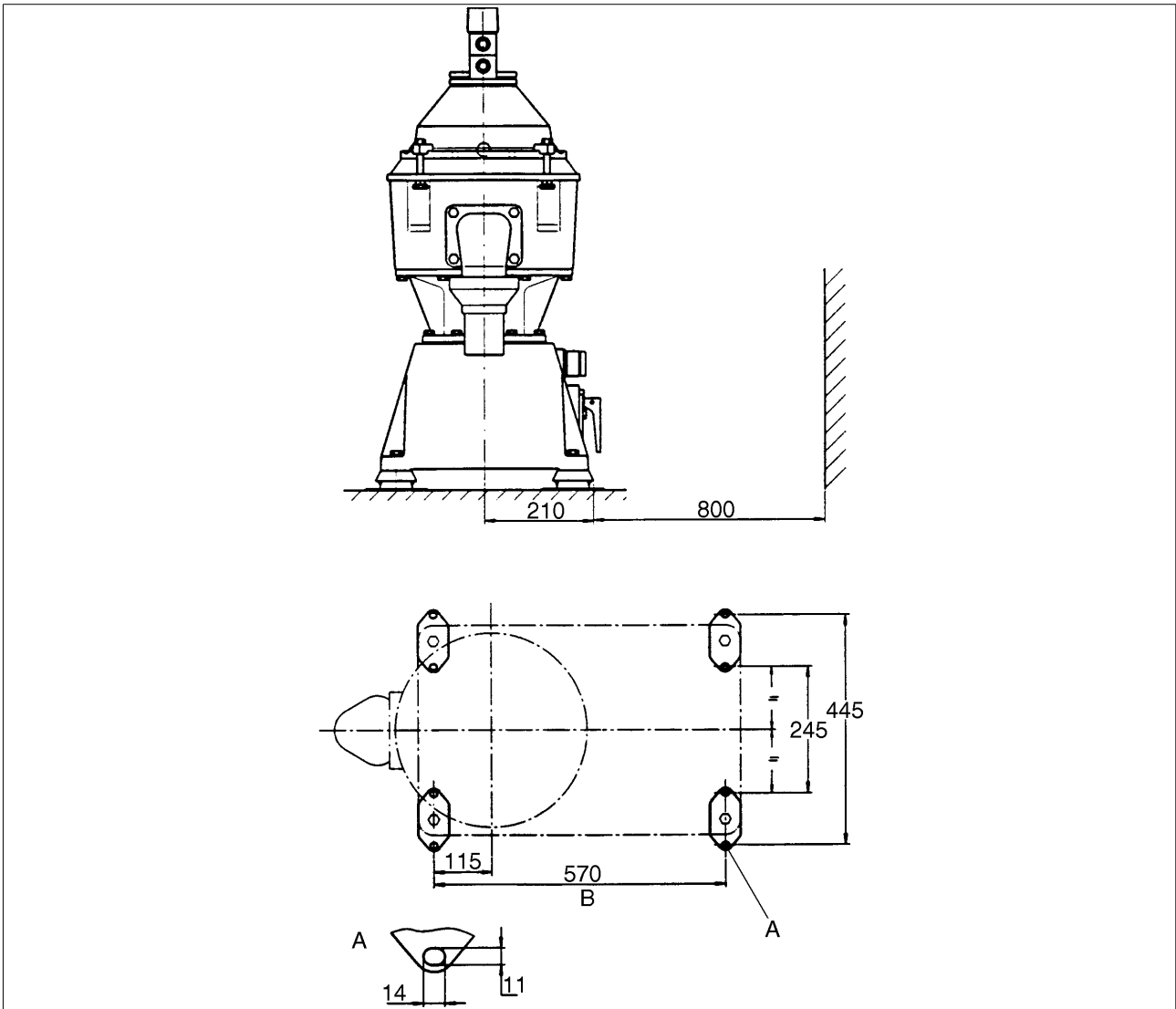


8.5.2 Foundation plan

Alfa Laval ref. 557415

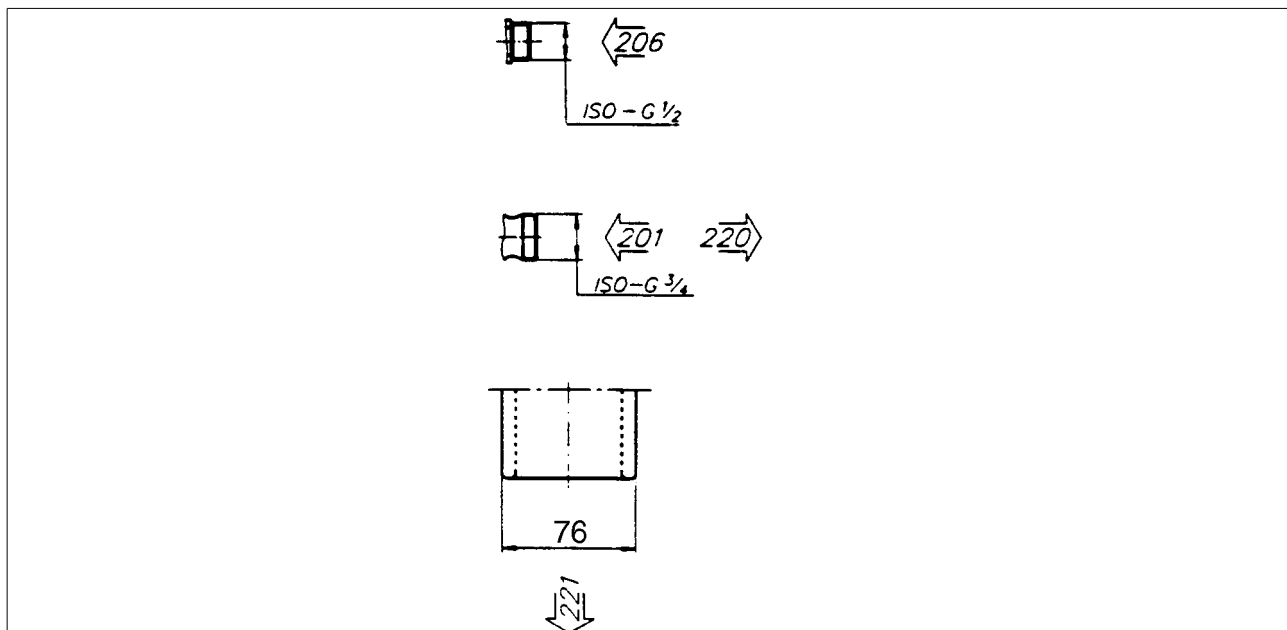


- A 8 holes for foundation bolts
- B Service side

G0606511

8.5.3 Dimensions of connections

Alfa Laval ref. 557415



G0606711

Data for connections see
"8.2 Connection list" on page 125

All connections to be installed non-loaded
and flexible