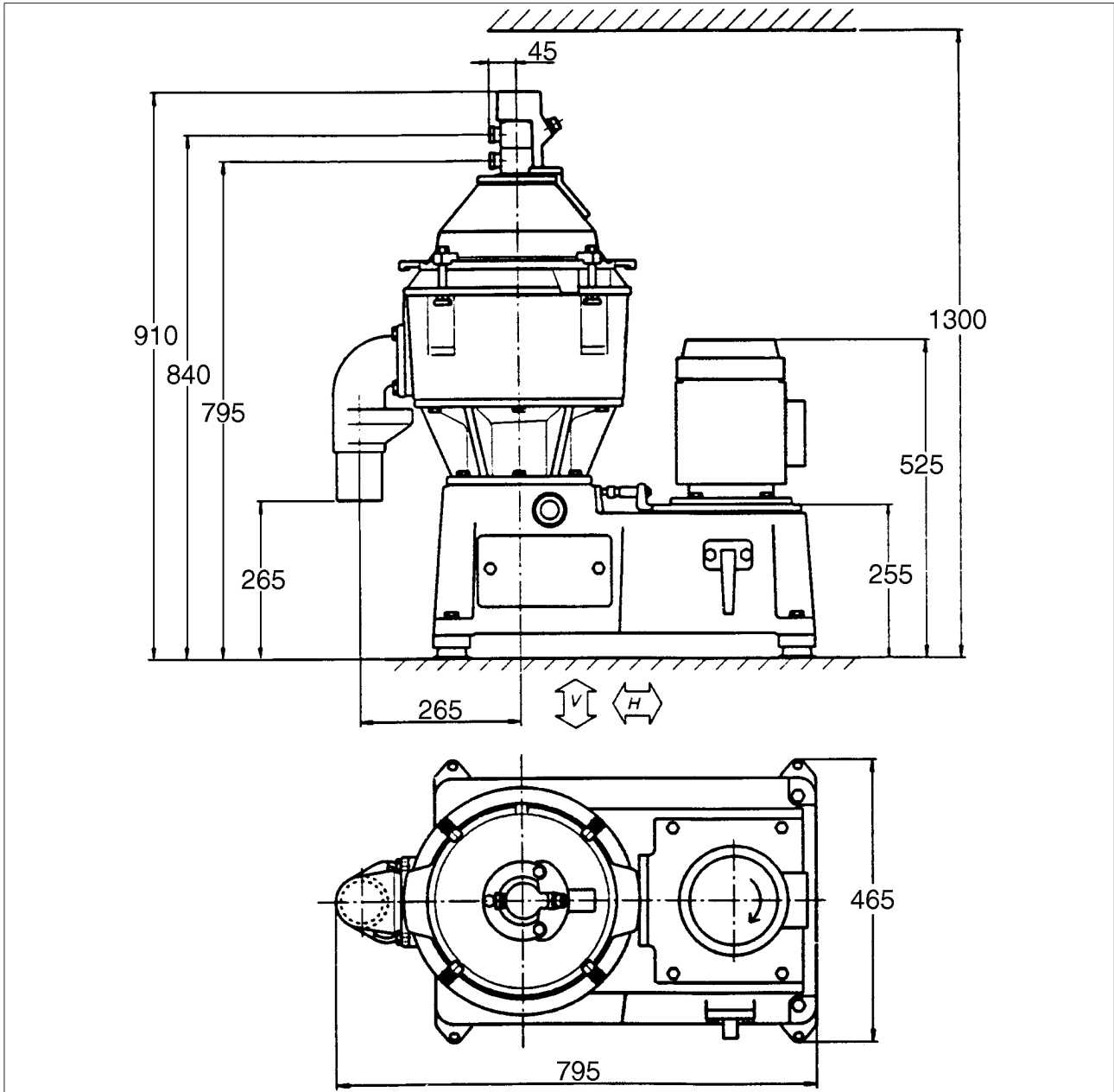



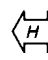
Separator Drawings

2.1.3 Basic Size

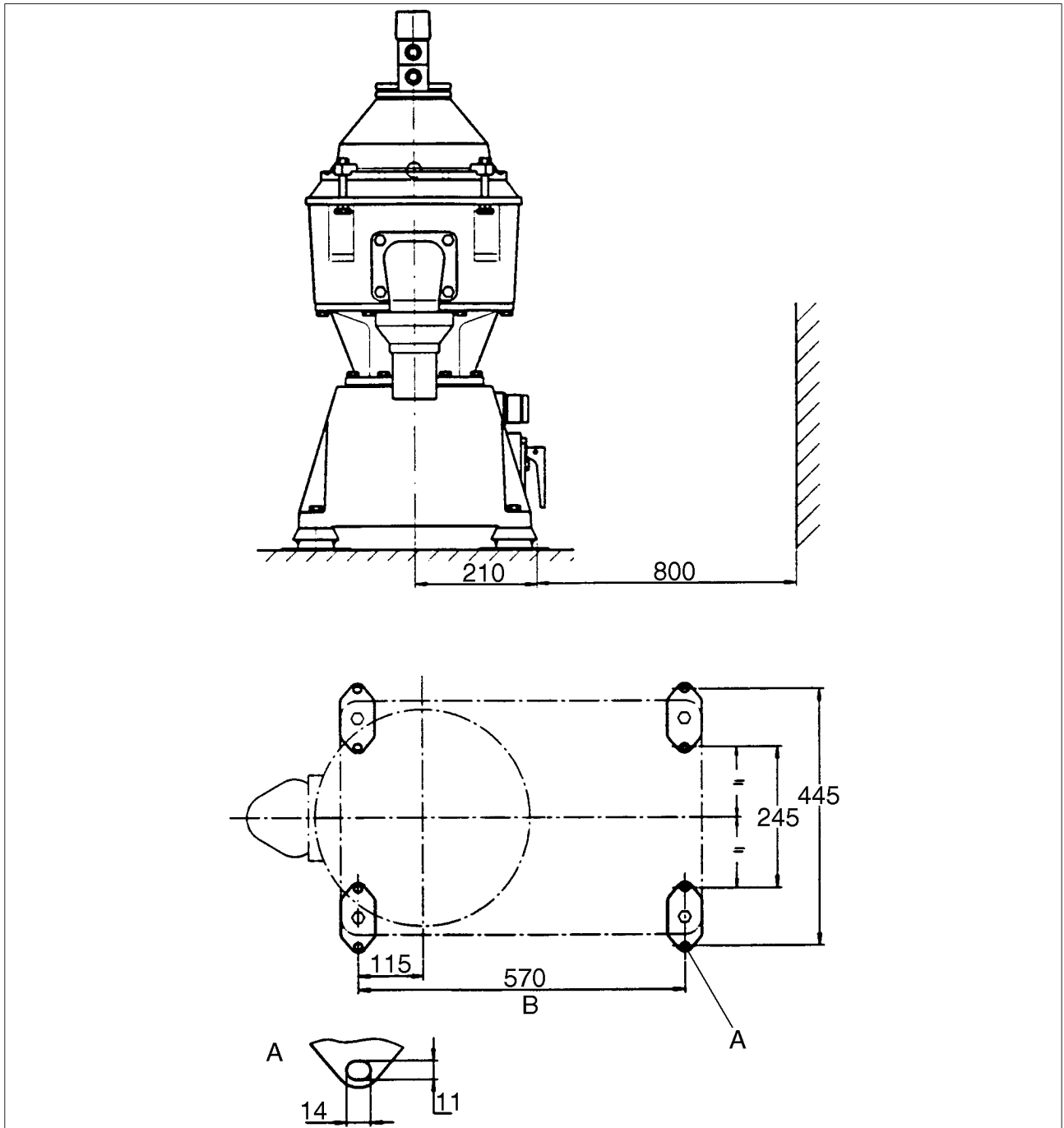


G060681A

 Vertical force not exceeding 5 kN/foot

 Horizontal force not exceeding 7 kN/foot

2.1.4 Foundations



- A 8 holes for foundation bolts
- B Service side